

Technical sheet

# ***MLT 625 75 H***

Telehandlers



Capacities	Metric
Max. capacity	2500 kg
Max. lifting height	5.90 m
Max. outreach	3.30 m
Reach at max. height	0.50 m
Breakout force with bucket	4205 daN
Weight and dimensions	
Unladen weight (with forks)	4922 kg
m4 - Ground clearance	0.38 m
l2 - Overall length to carriage (with hitch)	3.90 m
y - Wheelbase	2.30 m
b4 - Overall width of cab	0.80 m
b1 - Overall width	1.81 m
h17 - Overall height	2 m
a4 - Crowd angle	12 °
a5 - Dump angle	117 °
Wa1 - External turning radius (over tyres)	3.31 m
Standard tyres	300/75 R18 A580 - Alliance
Performances	
Lifting	7.30 s / -
Lowering	4.95 s / -
Extension	5.20 s / -
Retraction	3.70 s / -
Crowd	3.20 s
Dump	3.20 s
Engine	
Brand	Kubota
Environmental norm	Stage 5
Type	V3307-CR-T-E5B
Number of cylinders - Cubic capacity	4 - 3331 cm <sup>3</sup>
Power	75 hp / 55.40 kW
Max. torque	265 Nm at 1400 rpm
Reversible fan	Standard
Transmission	
Type	Hydrostatic
Number of gears (forward/reverse)	2
Max. travel speed (may vary according to applicable regulations)	40 km/h
Differential lock	Limited slip differential on front axle
Parking brake	Automatic negative parking brake
Service brake	Hydraulic oil immersed multi-disc braking on front axle
Hydraulics	
Hydraulic pump type	Gear pump
Hydraulic flow - Pressure	86 l/min - 235 bar
Tank capacities	
Hydraulic oil	115 l
Fuel	63 l
Noise & vibration	
Noise at driving position (LpA) tested following NF EN 12053 norm	76 dB(A)
Environmental noise (LwA)	104 dB(A)
Vibration to whole hand / arm	<2.5 m/s <sup>2</sup>
Miscellaneous	
Safety controls	EN 15000 Norm Cab ROPS - FOPS Level 1 JSM

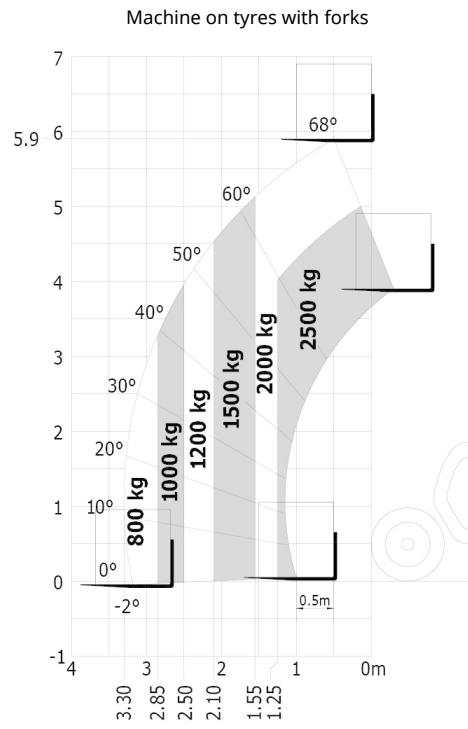
## Tyre options

Optional tires	Overall machine height	Overall machine width
BKT - 15/55-17 14PR AS504	1.99 m	1.93 m
Alliance - 400/55 R17.5 140A8 A328	2.01 m	1.92 m
Michelin - 280/80 R18 132A8 XMCL	2.01 m	1.82 m
Michelin - 280/80 R20 133A8 XMCL	2.03 m	1.79 m

## Options / Finishing

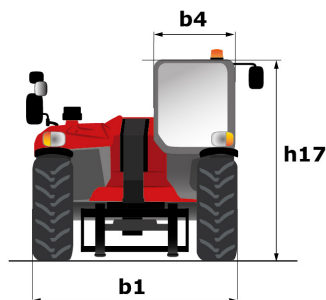
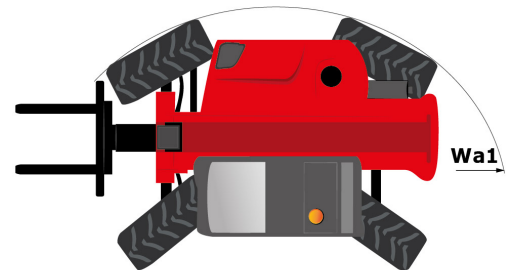
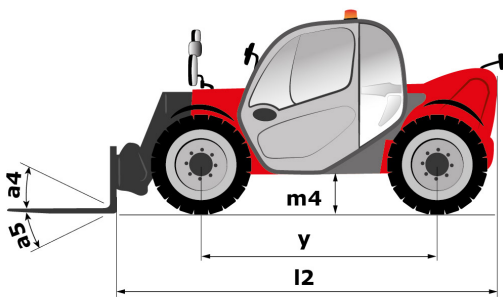
S : Standard / O : Optional / - : Not available

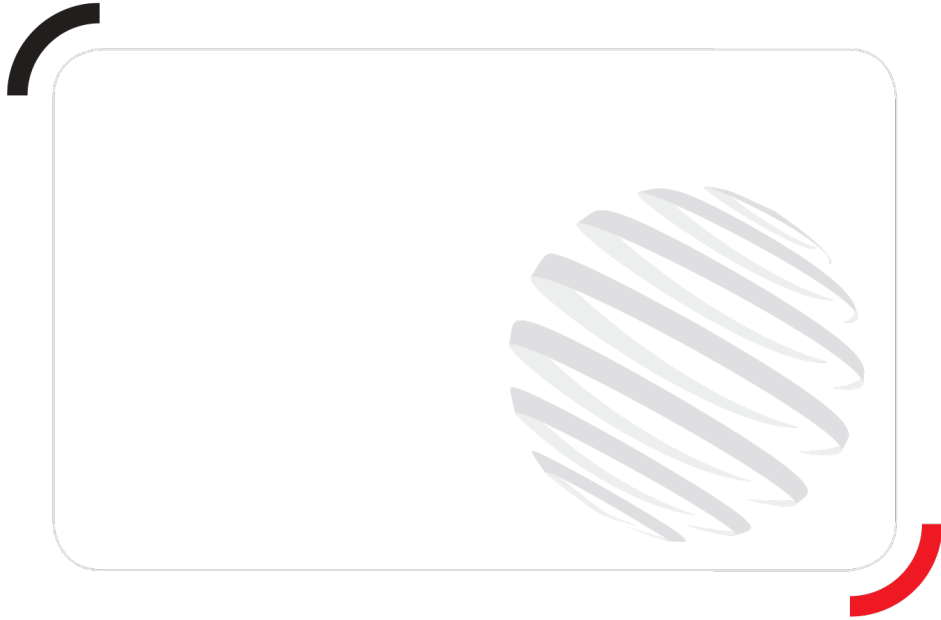
	Classic	Premium	Elite
<b>General</b>			
Quick drain fitting	S	S	S
Hand throttle	O	O	S
Speed limiter	O	O	S
"Active CRC" boom suspension	O	O	S
Auto reversing fan	S	S	S
Manual rotating towing hitch	O	O	O
<b>Comfort</b>			
Tuner car radio (50 W)	S	-	-
Bluetooth car radio with integrated microphone (100 W)	O	S	-
Bluetooth car radio with extra microphone (100 W)	O	O	S
Manual air conditioning	O	S	S
Mechanical cloth-covered seat (Grammer)	S	-	-
Air suspension cloth-covered seat (Grammer)	O	S	-
Rear windscreen defrost	O	O	O
Phone support	S	S	S
Low frequency air suspension cloth-covered seat (GRAMMER)	O	O	S
<b>Hydraulic</b>			
Easy Connect System (ECS)	S	S	S
Continuous flow hydraulics	O	O	S
Attachment hydraulic flow control system	O	O	S
Return pipe to hydraulic oil tank	O	O	O
Combined movements (flow sharing distributor)	O	O	O
Attachment hydraulic locking	O	O	O
Electrovalve for 2 hydraulic functions (on boom head)	O	O	O
<b>Electricity / Safety</b>			
Front and rear work lights on cab (x4: 2 front + 2 rear)	S	-	-
Front and rear LED work lights on cab (x4 : 2 front + 2 rear)	O	S	S
Audio warning on reverse movements	S	S	S
LED work lights on boom head (on fixed part) (x2)	O	O	O
Flat LED rotating beacon (-71 mm)	O	O	O
LED blue poultry lights (x2)	O	O	O



Rough terrain load chart (EN 1459 B)

Dimensional drawing





Siège Social  
430 rue de l'Aubinière - 44150 Ancenis Cedex - France  
Tel: +33(0)2 40 09 10 11 - Fax: +33 (0)2 40 09 10 97  
[www.manitou.com](http://www.manitou.com)



This brochure describes versions and configuration options for Manitou products which may be fitted with different equipment. The equipment described in this brochure may be standard, optional or not available depending on version. Manitou reserves the right to change the specifications shown and described at any time and without prior warning. The manufacturer is not liable for the specifications given. For more information, contact your Manitou dealer. Non-contractual document. Product descriptions may differ from actual products. List of specifications is not comprehensive. The logos and visual identity of the company are the property of Manitou and may not be used without authorisation. All rights reserved. The photos and diagrams contained in this brochure are provided for information only.

MANITOU BF SA - Limited company with board of directors - Share capital: 39,547,824 euros - 857 802 508 RCS Nantes