



Electric Straddle Stacker Capacity 1400 & 1600 kg L14/16 AS – AS AP & AS SP

SERIES 131

Safety

Design of the Linde L 14/L 16 AS Electric Straddle Stacker is not only good to look at, but also good for protection of the operator. The low skirt ensures that the wheels remain safely within the truck contours. Together with the rounded, smooth shape of the chassis and tiller head, this reduces all risk of injury or damage.

Performance

The trucks show their true strength in efficiency on the job. Powerful 3 kW AC motor, Linde OptiLift® control for authentic proportional lifting and lowering, load capacity up to 1.600 kg and efficient brakes add up to productivity in service at any duty level.

Comfort

Everything the Linde L 14/L 16 AS is meant to do it does easily. And does most of it faster. All controls can be operated with either hand without ever having to let go of the tiller. The handles are made of corrosion-resisting material that is pleasant to the touch.



Linde Material Handling

Linde

Reliability

Rugged construction makes this a truck to rely on. The sturdy mast and the frame of high-grade pressed steel contribute to considerably longer truck lifetime as well as fast, easy and safe load handling.

Service

Speed and economy continue over into truck diagnosis and preventive maintenance. CAN bus connectivity enables all truck data to be read out on a laptop computer by the service technician. Swift access to all components and maintenance-free AC-technology play an additional part in keeping truck uptime up.

Technical data (According to VDI 2198)

| | | | | |
|-----------------|------------------------------|---|--|---------------------------|
| Characteristics | 1.1 | Manufacturer | | LINDE |
| | 1.2 | Model designation | | L 14 AS / L 16 AS |
| | 1.3 | Power Unit | | Battery (3 PzS) |
| | 1.4 | Operation: manual, pedestrian, stand-on, seated | | Pedestrian |
| | 1.5 | Load capacity | Q (kg) | 1400/1600 |
| | 1.6 | Load centre | c (mm) | 600 |
| | 1.8 | Axle centre to fork face (fork raised/lowered) | x (mm) | 643 |
| | 1.9 | Wheelbase | y (mm) | 1449 ³⁾ |
| | Weights | 2.1 | Service weight (with battery item 6,5) | (± 10 %) kg |
| 2.2 | | Axle load with load, drive side/load side | (± 10 %) kg | 900/2170 ³⁾ |
| 2.3 | | Axle load without load, drive side/load side | (± 10 %) kg | 960/510 ³⁾ |
| Wheels | 3.1 | Tyre treads: Polyurethane, Rubber | | Rubber/Polyurethane |
| | 3.2 | Tyre size, drive side | ø x l (mm) | ø 254 x 102 |
| | 3.3 | Tyre size, load side | ø x l (mm) | ø 85 x 85 |
| | 3.4 | Auxiliary wheels (dimensions) | ø x l (mm) | ø 100 x 40 (x2) |
| | 3.5 | Wheels number, drive side/load side (x = driven) | | 1x + 2/2 |
| | 3.6 | Track width, drive side | (± 5 mm) mm | - |
| | 3.7 | Track width, load side | (± 5 mm) mm | 1030/1330/1480 |
| Dimensions | 4.2 | Mast height, lowered | h1 (mm) | 1990 ¹⁾²⁾ |
| | 4.3 | Free lift | h2 (mm) | 150 ¹⁾²⁾ |
| | 4.4 | Lift height | h3 (mm) | 2924/2844 ¹⁾²⁾ |
| | 4.5 | Mast height, extended | h4 (mm) | 3460/3380 ¹⁾²⁾ |
| | 4.8 | Height of the platform (driving position) | h7 (mm) | - |
| | 4.9 | Height of the organ control, min/max | h14 (mm) | 1103/1287 |
| | 4.15 | Fork height, lowered | h13 (mm) | 46 |
| | 4.19 | Overall length | l1 (mm) | 2153 ³⁾ |
| | 4.20 | Length to fork face | l2 (mm) | 773 ⁵⁾ |
| | 4.21 | Overall width | b1/b2 (mm) | 790/1160 - 1460 - 1610 |
| | 4.22 | Fork dimensions | s/e/l (mm) | 40/80/1150 |
| | 4.23 | Fork carriage, DIN 1573 class A or B | | ISO 2 B |
| | 4.24 | Fork carriage width | b3 (mm) | 800 |
| | 4.25 | Fork spread, min/max | b5 (mm) | - |
| | 4.26 | Straddle legs spread (from inside), min/max | b4 (mm) | 900/1200/1350 |
| | 4.31 | Ground clearance, under the mast | m1 (mm) | - |
| | 4.32 | Ground clearance, centre of the wheelbase, min/max | m2 (mm) | 25 |
| | 4.33 | Aisle width with pallet 1000 x 1200 across forks | Ast (mm) | 2669 ⁴⁾⁵⁾ |
| | 4.34 | Aisle width with pallet 800 x 1200 along forks | Ast (mm) | 2555 ³⁾ |
| 4.35 | Turning radius (fork raised) | Wa (mm) | 1669 | |
| Performance | 5.1 | Travel speed, with/without load | (± 5 %) km/h | 6/6 |
| | 5.2 | Lifting speed, with/without load | m/s | 0.11/0.21 |
| | 5.3 | Lowering speed, with/without load | m/s | 0.40/0.45 |
| | 5.7 | Climbing ability, with/without load | % | - |
| | 5.8 | Maximum climbing ability, with/without load | % | 9/10 |
| | 5.10 | Service brake | | Electromagnetic |
| Drive | 6.1 | Drive motor (60 minutes rating) | kW | 1.5 |
| | 6.2 | Lift motor rating 15 % | kW | 3 |
| | 6.3 | Battery according to DIN 43531/35/36 A, B, C, no | | DIN 43535B |
| | 6.4 | Battery voltage/rated capacity (5 h) | V/Ah | 24/240 |
| | 6.5 | Battery weight | (± 10 %) kg | 200 |
| | 6.6 | Power consumption in accordance with the standardised VDI cycle | Ah | - |
| Others | 8.1 | Type of drive control | | LAC-Controller |
| | 8.4 | Sound level at operator's ear | dB (A) | < 70 |
| | | Vibrations on the platform (EN 13059) | m/s ² | - |

1) Mast 2844S for L 16 AS/Other mast: cf. table

2) Mast 2924S for L 14 AS/Other mast: cf. table

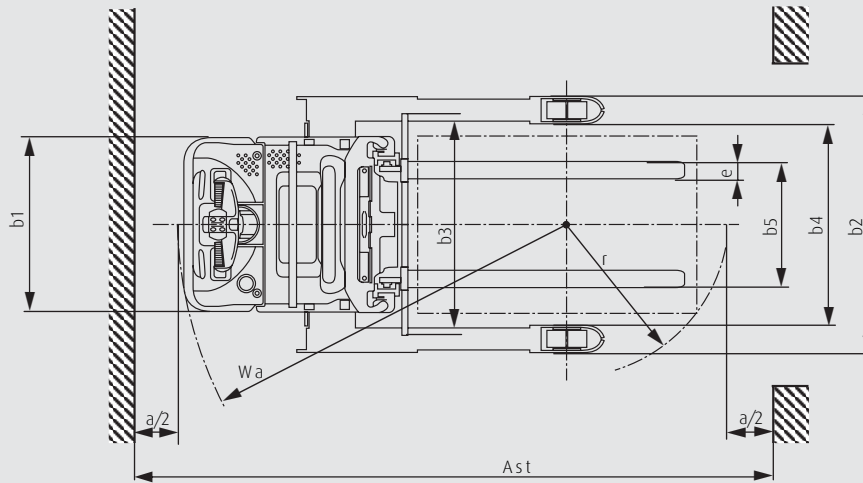
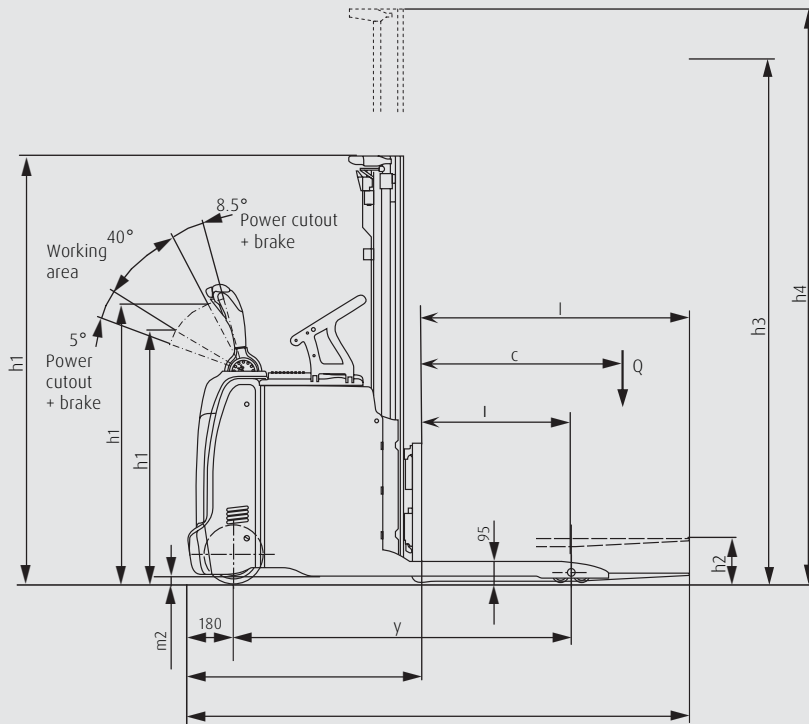
3) Value for L 16 AS

4) With overall width b2 = 1610 mm

5) With a 3PzS vertical battery change (+50 mm for the 4PzS vertical and +75 mm for the 5PzS vertical batterie change)

| LINDE | LINDE |
|-----------------------------|-----------------------------|
| L 14 AS / L 16 AS-SP | L 14 AS / L 16 AS-AP |
| Battery (3 PzS) | Battery (3 PzS) |
| Stand-on | Stand-on |
| 1400/1600 | 1400/1600 |
| 600 | 600 |
| 643 | 643 |
| 1449 ³⁾ | 1449 ³⁾ |
| 1525 ³⁾ | 1495 ³⁾ |
| 980/2195 ³⁾ | 950/2195 ³⁾ |
| 1040/485 ³⁾ | 1010/485 ³⁾ |
| Rubber/Polyurethane | Rubber/Polyurethane |
| ø 254 x 102 | ø 254 x 102 |
| ø 85 x 85 | ø 85 x 85 |
| ø 100 x 40 (x2) | ø 100 x 40 (x2) |
| 1x + 2/2 | 1x + 2/2 |
| - | - |
| 1030/1330/1480 | 1030/1330/1480 |
| 1990 ¹⁾²⁾ | 1990 ¹⁾²⁾ |
| 150 ¹⁾²⁾ | 150 ¹⁾²⁾ |
| 2924/2844 ¹⁾²⁾ | 2924/2844 ¹⁾²⁾ |
| 3460/3380 ¹⁾²⁾ | 3460/3380 ¹⁾²⁾ |
| 160 | 160 |
| 1160 | 1103/1287 |
| 46 | 46 |
| 2618 ³⁾ | 2560 ³⁾ |
| 1238 ³⁾ | 1180 ³⁾ |
| 790/1160 - 1460 - 1610 | 790/1160 - 1460 - 1610 |
| 40/80/1150 | 40/80/1150 |
| ISO 2 B | ISO 2 B |
| 1000 | 1100 |
| - | - |
| 900/1200/1350 | 900/1200/1350 |
| - | - |
| 25 | 25 |
| 3174 ⁴⁾⁵⁾ | 3054 ⁴⁾⁵⁾ |
| 3060 ³⁾ | 2940 ³⁾ |
| 2174 | 2054 |
| 10/10 | 10/10 |
| - | - |
| 0.40/0.45 | 0.40/0.45 |
| - | - |
| 9/10 | 9/10 |
| Electromagnetic | Electromagnetic |
| 3 | 3 |
| 3 | 3 |
| DIN 43535 B | DIN 43535 B |
| 24/240 | 24/240 |
| 200 | 200 |
| - | - |
| LAC-Controller | LAC-Controller |
| < 70 | < 70 |
| 1.1 | 1.1 |





$$Ast = Wa + \sqrt{(16-x)^2 + \left(\frac{b_{12}}{2}\right)^2} + a$$

$$AST = Wa + r + a$$

Safety clearance a = 200 mm

| Mast type L 14 AS (in mm) | 1924 S | 2424 S | 2924 S | 3324 S | 3824 S | 4224 S | 4724 S | 1924 D | 2424 D | 2924 D | 3324 D | 3824 D | - | - | - | |
|---------------------------|---------------|--------|--------|--------|--------|--------|--------|--------|--------|--------|--------|--------|------|---|---|---|
| Lift | h3 | 1924 | 2424 | 2924 | 3324 | 3824 | 4224 | 4724 | 1924 | 2424 | 2924 | 3324 | 3824 | - | - | - |
| Lift + fork height | h3+h13 | 1970 | 2470 | 2970 | 3370 | 3870 | 4270 | 4770 | 1970 | 2470 | 2970 | 3370 | 3870 | - | - | - |
| Height mast, lowered | h1 | 1490 | 1740 | 1990 | 2190 | 2440 | 2640 | 2890 | 1415 | 1665 | 1915 | 2115 | 2365 | - | - | - |
| Height mast, extended | h4 | 2503 | 3003 | 3503 | 3903 | 4403 | 4803 | 5303 | 2503 | 3003 | 3503 | 3903 | 4403 | - | - | - |
| Free lift | h2 | 150 | 150 | 150 | 150 | 150 | 150 | 150 | 879 | 1379 | 1462 | 1662 | 1912 | - | - | - |

| Mast type L 16 AS (in mm) | 1844 S | 2344 S | 2844 S | 3244 S | 3744 S | 4144 S | 4644 S | 1844 D | 2344 D | 2844 D | 3244 D | 3744 D | 4266 T | 4716 T | 5316 T | |
|---------------------------|---------------|--------|--------|--------|--------|--------|--------|--------|--------|--------|--------|--------|--------|--------|--------|------|
| Lift | h3 | 1844 | 2344 | 2844 | 3244 | 3744 | 4144 | 4644 | 1844 | 2344 | 2844 | 3244 | 3744 | 4266 | 4716 | 5316 |
| Lift + fork height | h3+h13 | 1890 | 2390 | 2890 | 3290 | 3790 | 4190 | 4690 | 1890 | 2390 | 2890 | 3290 | 3790 | 4312 | 4762 | 5362 |
| Height mast, lowered | h1 | 1490 | 1740 | 1990 | 2190 | 2440 | 2640 | 2890 | 1415 | 1665 | 1915 | 2115 | 2365 | 1915 | 2065 | 2265 |
| Height mast, extended | h4 | 2423 | 2923 | 3423 | 3823 | 4323 | 4723 | 5223 | 2423 | 2923 | 3423 | 3823 | 4323 | 4845 | 5295 | 5895 |
| Free lift | h2 | 150 | 150 | 150 | 150 | 150 | 150 | 150 | 879 | 1129 | 1379 | 1579 | 1829 | 1379 | 1529 | 1729 |

Equipment

Standard equipment

| | |
|--|---|
| Multifunction back lighted display | Cushion drive wheels |
| Key switch or Log in Pin code: ignition | Mast protections (polycarbonate or mesh) |
| Dedicated work station (with storage compartments) | Vertical battery change |
| Adjustable straddle legs (3 positions: 900, 1,200, 1,350 mm) | Ideal 45° driving position (SP) |
| Power assisted steering with a proportional steering resistance | Safe operator compartment with padded rests and cushioned full-suspension platform (SP) |
| Positive steering (drive wheel) feedback | One-hand Linde e-Driver® control (SP) |
| Automatic speed reduction when cornering | Self-centring steering (SP) |
| Linde OptiLift® control on the tiller | Folding stand-on platform with side guards (AP) |
| AC motor | Protection -10°C |
| Automatic braking | |
| Electromagnetic emergency brake acting proportionally to the load weight | |

Optional equipment

| |
|--|
| Drive wheels: cushion non-marking or wet grip |
| Other mast types and lift heights |
| Soft landing of forks |
| Overhead guard |
| Ultra fast lifting |
| Support for data terminal or barcode reader (Pack N°2) |
| Cold store protection -35°C |

Other options available on request

Features

Platform versions

SP concept

- Operator protected by surrounding shields
- Ideal driving position with panoramic visibility, secure and stable stand
- Linde e-Driver®: Electric power steering, ergonomic design matched to 45° operator stance

AP versions

- Folding cushioned rider platform
- Integral side guards, fold up and down at one easy motion
- Electric power steering, effortless to operate

Brakes

- Automatic braking on release of drive control
- Responsive electric countercurrent braking
- Emergency stop button acts electro-magnetically on drive motor and proportional to the load



Pedestrian version

- Robust construction, rounded contours with no sharp edges
- Operator safety ensured by low skirt and design of tiller head
- All controls on tiller can be operated with either hand
- Electric power steering, effortless and exact

Versatile options

- Choice of three straddle legs widths: 900, 1,200, 1,350 mm
- Wide range of panorama-view masts, standard to triplex

CAN bus connectivity

- Electronic management of all components for quick and easy diagnosis
- All performance parameters can be set by service technician for precise matching to the specific application



Workstation

- Digital multifunction display with safety alert to component failure and servicing due, battery discharge indicator, hour meter, etc.
- Truck access control by unique PIN code (no-cost option)
- Wide and deep storage space for wrapping paper, work gloves, writing utensils, etc.

AC motor

- Powerful, smooth-running motor, 3 kW maximum output
- Top speed 6 km/h, loaded or unloaded (pedestrian version)
- Top speed 10 km/h with or without a load (platform version)
- Moisture- and dust-proof motor needs no maintenance

Batteries and chargers

- Vertical battery change as standard
- Wide range of batteries, 375 Ah (3 PzS) to 620 Ah (5 PzS)
- Wide range of chargers, standard and wall-mount type

Linde AG

Linde Material Handling Division, Postfach 10 01 36, 63701 Aschaffenburg, Germany
Phone +49.60 21.99-0, Fax +49.60 21.99-15 70, www.linde-forklifts.com, info@linde-forklifts.com

Linde Material Handling

Subject to change in the interests of progress. Illustrations and technical details non-binding. All dimensions subject to customary tolerance.

Printed in Germany · 092 · e · 3 · 0206 · ind · B · Co